

Installation Instructions

Stick Anywhere Light

MB720

Thank you for purchasing the Mr Beams® Stick Anywhere Light. We are committed to eliminating darkness using the latest in Light-Emitting Diodes (LEDs). LEDs are the most efficient and durable light sources available. We are certain that your light will contribute to a safer environment and provide light where you need it at a very reasonable cost.

What is included per light:

- Wireless LED Stick Anywhere Light
- 2 Screws & Double Sided Tape
- Mounting Bracket

What you need to install:

- 1 Small Screwdriver
- 4 AA-Cell Alkaline Batteries (per light)

Stick Anywhere Light Features:

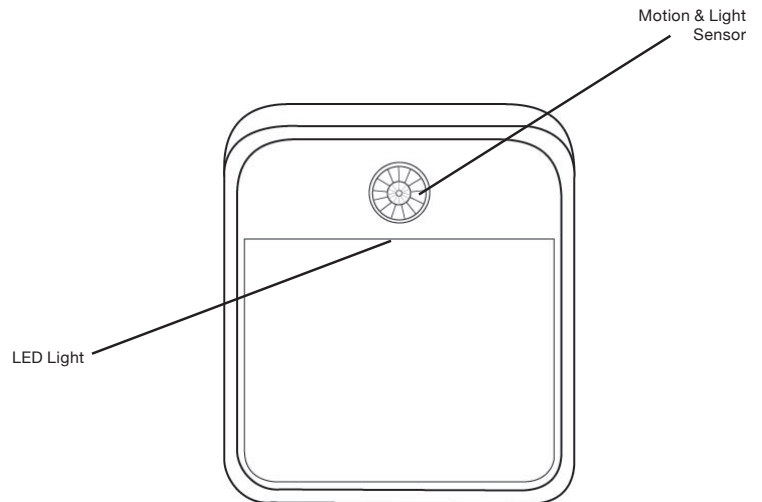
Motion/Light Sensor: Light instantly turns on when it detects motion from up to 15 feet away. The light sensor conserves battery life by preventing the light from activating in daylight.

Auto Shut-off: Stick Anywhere Light shuts off automatically after 30 seconds if no motion is detected.

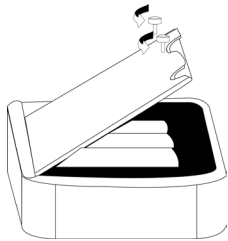
Bright LED: 20 Lumens covers up to 10 sq ft.

Tips:

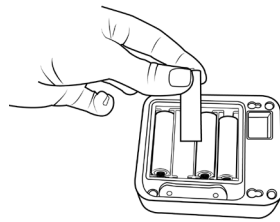
- Use only new alkaline AA-Cell batteries with 1.5V rating.
- Do not mix old and new batteries. If batteries are not new, it may cause the light to malfunction.
- Install batteries with polarity in correct position.
- Light may activate when batteries are inserted. Simply take light into a dark room. Allow batteries to settle, then test activation.
- **If your light will not turn off, it means that it is time to replace the batteries.**



NOTE: Light sensor only allows light to activate in darkness. We recommend you test in a dark room or closet.



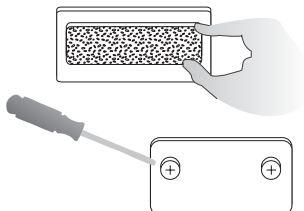
1. Remove mounting bracket from back of light. Remove battery door by turning 2 thumb screws counter clockwise.



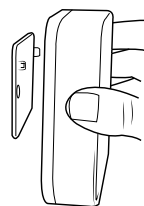
2. Insert 4 Fresh AA alkaline batteries.



3. Close battery door and replace thumb screws.



4. Mount bracket to wall with double sided tape, holding for 10 seconds or install with 2 small screws. Note: This is a strong adhesive that may cause damage to mounting surface. Please consider your location before mounting.



5. Slide light onto mounting bracket attached to wall.

Battery Caution:

- 1) Do not mix old and new batteries
- 2) Do not mix Alkaline, Standard (Carbon-Zinc) or Rechargeable (Nickel Cadmium) or (Nickel Metal Hydride) batteries
- 3) Do not dispose of batteries in fire
- 4) Batteries should be recycled or disposed of as per state and local guidelines