

Installation Instructions

LED Night Light

MB710

Thank you for purchasing the Mr Beams® LED Night Light. We are committed to eliminating darkness using the latest in Light-Emitting Diodes (LEDs). LEDs are the most efficient and durable light sources available. We are certain that your light will contribute to a safer environment and provide light where you need it at a very reasonable cost.

What is included per light:

- Double Sided Tape
- 2 screws, 2 anchors

What you need to install:

- 4 AAA-cell Alkaline Batteries (per light)

LED Night Light Features:

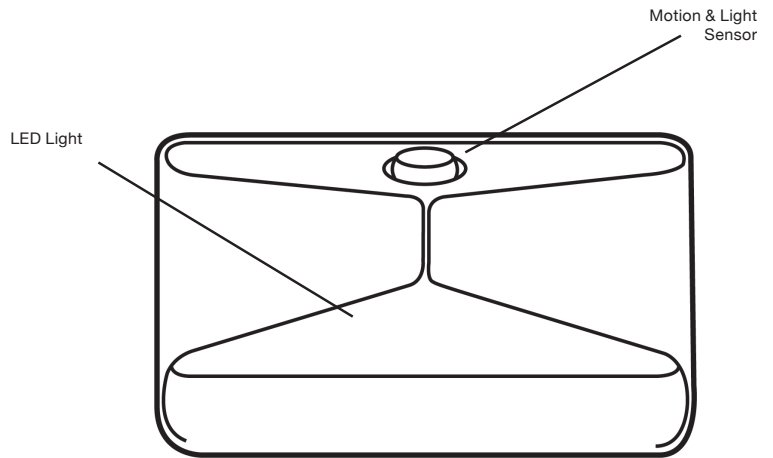
Motion/Light Sensor: Light instantly turns on when it detects motion from up to 10 feet away. The light sensor conserves battery life by preventing the light from activating in daylight.

Auto Shut Off: Night Light shuts off automatically after 30 seconds if no motion is detected.

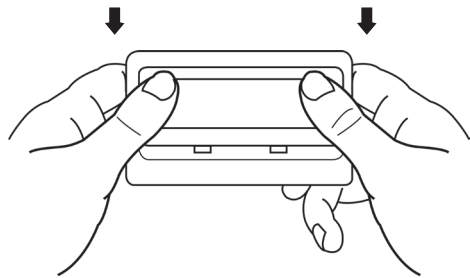
Bright LED: 15 lumens cover up to 10 sq ft.

Tips:

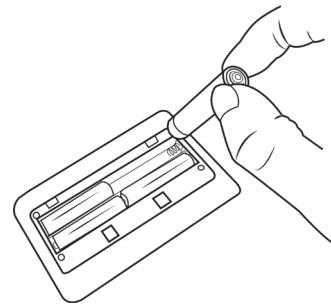
- Use only new alkaline AAA-cell batteries with 1.5V rating.
- Do not mix old and new batteries. If batteries are not new, it may cause the light to malfunction.
- Install batteries with polarity in correct position.
- Light may activate when batteries are inserted. Simply take light into a dark room, allow batteries to settle, then test activation.
- **If your light will not turn off, it means that it is time to replace the batteries.**



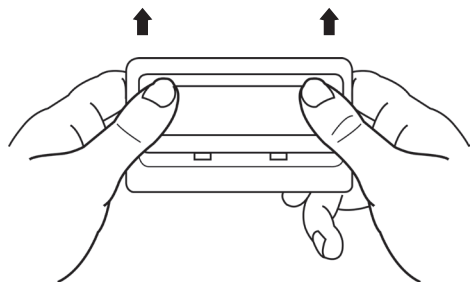
NOTE: Light sensor allows light to activate only in darkness. We recommend you test in a dark room or closet.



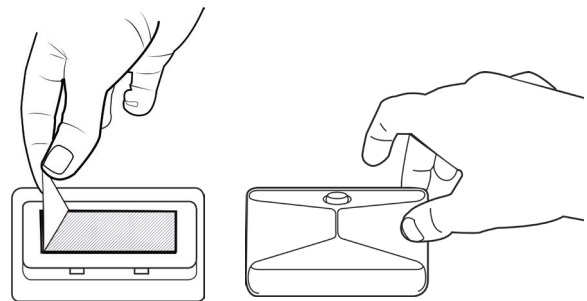
1. Remove mounting bracket from back of light by sliding down.



2. Insert 4 new AAA alkaline batteries.



3. Replace the mounting bracket.



4. Apply adhesive strip to back of the light and stick in desired location.

Battery Caution:

- 1) Do not mix old and new batteries
- 2) Do not mix Alkaline, Standard Carbon-Zinc, Rechargeable Nickel Cadmium or Nickel Metal Hydride batteries
- 3) Do not dispose of batteries in fire
- 4) Batteries should be recycled or disposed of as per state and local guidelines